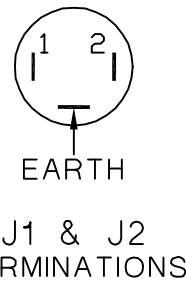
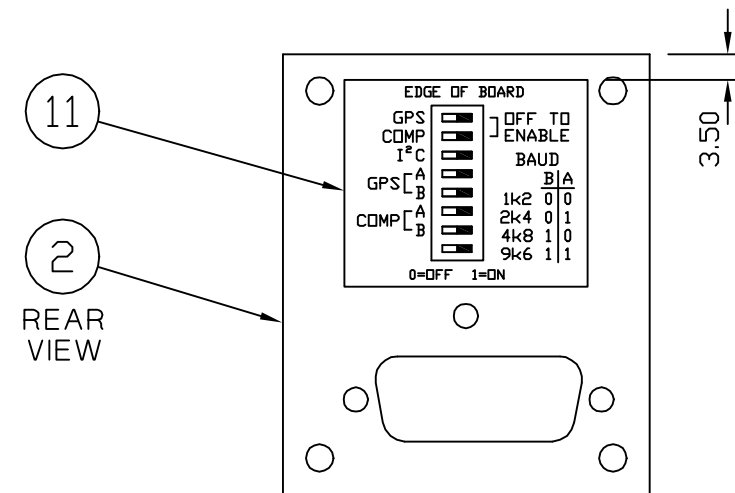
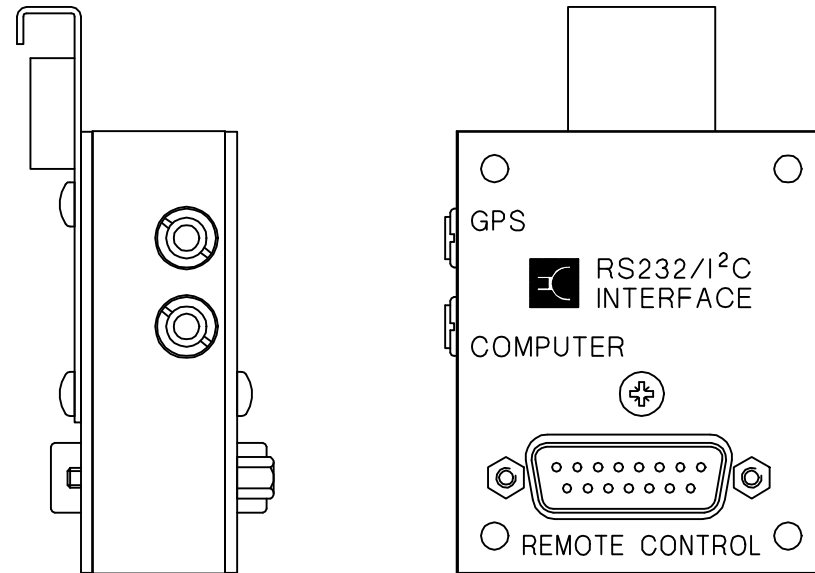
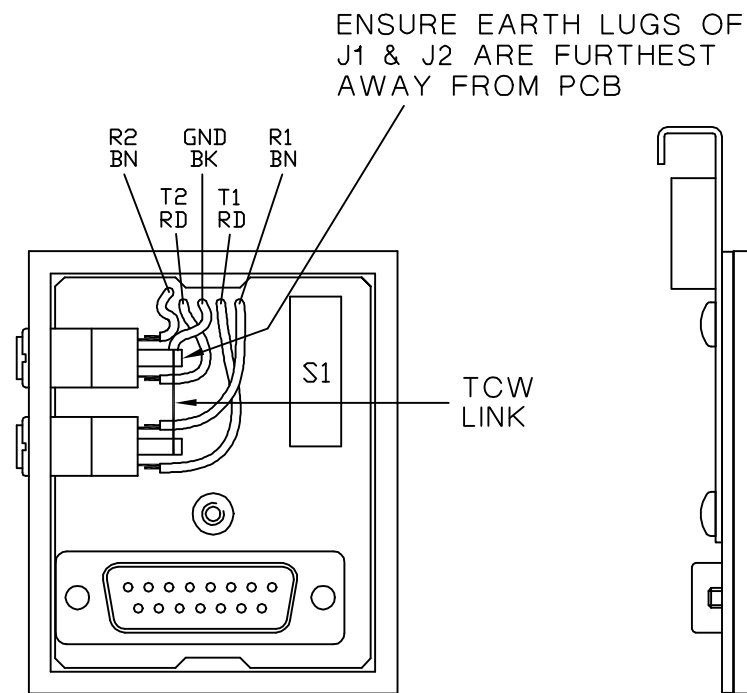
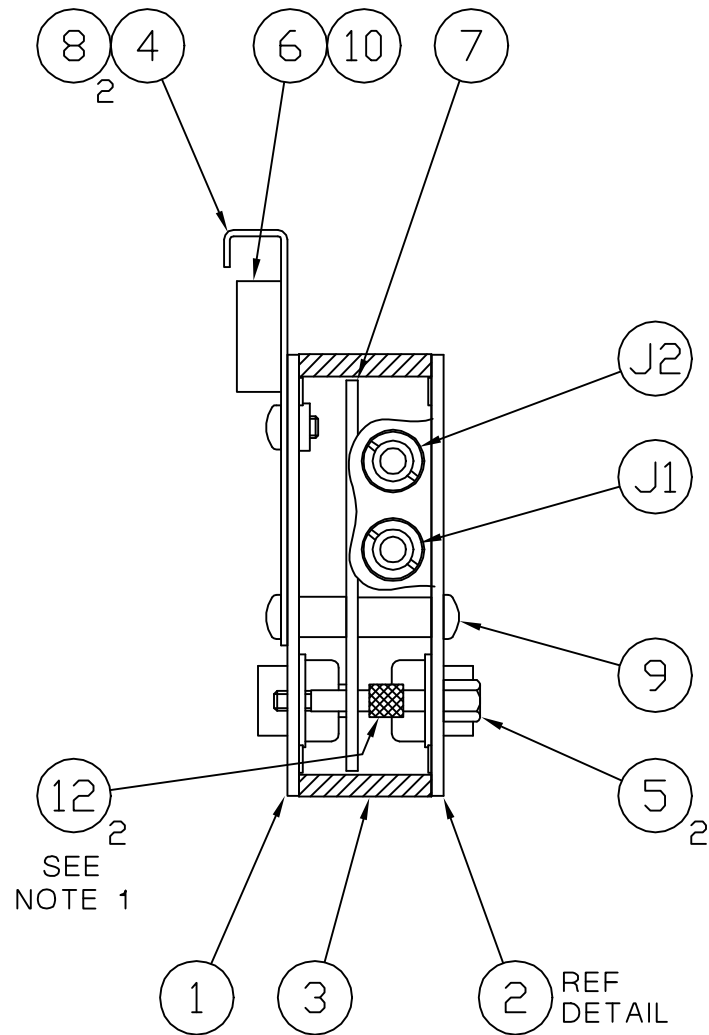


DO NOT SCALE



NOTES:

- CUT ITEM 12 TO PROVIDE 2 x 5mm LONG SLEEVES AND FIT TO ITEM 5

WIRE	FROM	TO
BROWN 66-03072-001	PCB/R1	J1/1
RED " -002	" /T1	J1/2
BLACK " -000	" /GND	J2/ETH
BROWN " -001	" /R2	J2/1
RED " -002	" /T2	J2/2
TCW	J2/ETH	J1/ETH

DIMENSIONS IN mm

ISSUE 2  
'D' CONNECTORS  
MOVED,  
ITEM 13 ADDED.  
C/R 24342  
EF 13-9-95

ISSUE 3  
NOTE 1 ADDED  
ITEM 14 ADDED  
C/R 24532  
CE 16-09-96

ISSUE 4:  
SHT 2 CHANGED TO  
08-05747.  
J1 WAS J2. J2 WAS J3.  
ITEM 10 WAS 11  
ITEM 11 WAS 13  
ITEM 12 WAS 14  
C/R 26108  
VS 28-5-99

FILE No.  
08\05181X\_4.DWG

		SCALE 1:1	© CODAN PTY LTD, A.C.N. 007 590 605: 1996			
	DRN DB	DATE 22-06-95	TITLE RS232/12C INTERFACE FINAL ASSY			
MATERIAL	CHKD EF	27-06-95	DRAWING/DOC NO.			
FINISH	APPD CM	11-07-95	A3 08-05181			
	TOLERANCES UNLESS OTHERWISE STATED		ISS			
2 PLACES DEC. ±0.25		1 2 3 4				
1 PLACE DEC. ±0.5		SHT. 1				
0 PLACE DEC. ±1		OF 1				
ANGULAR ±2°						